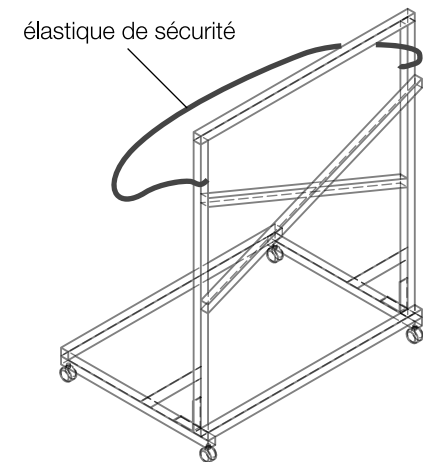
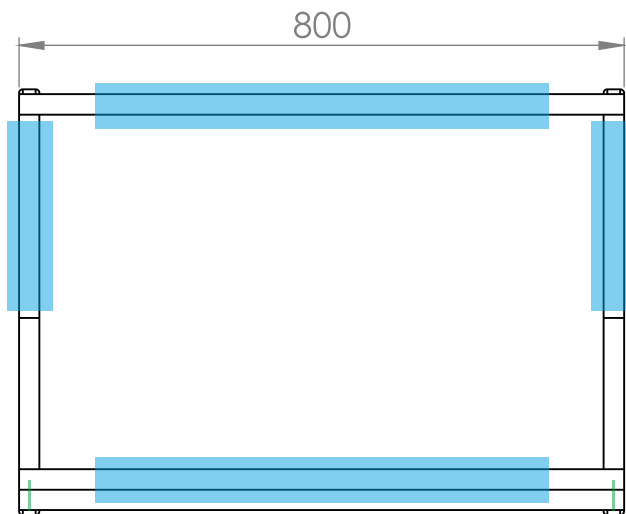
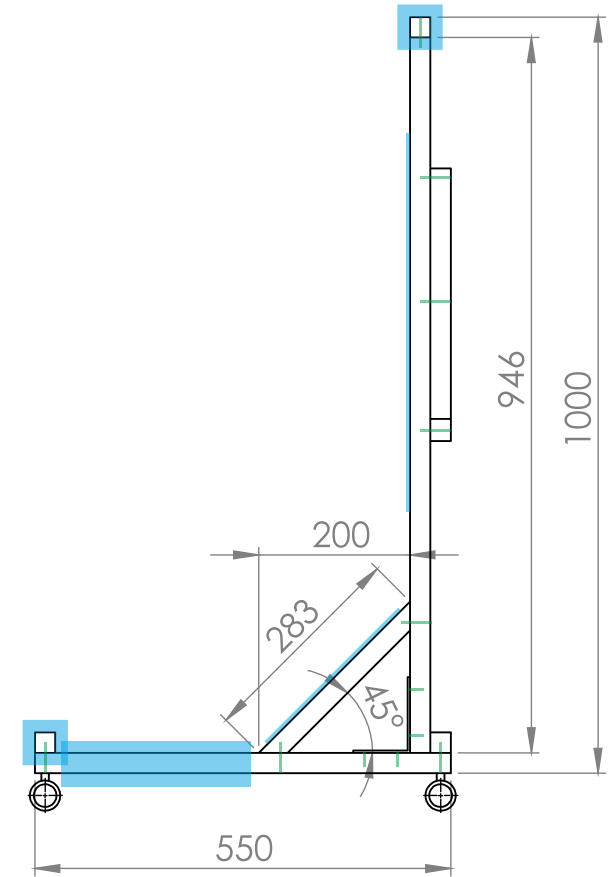
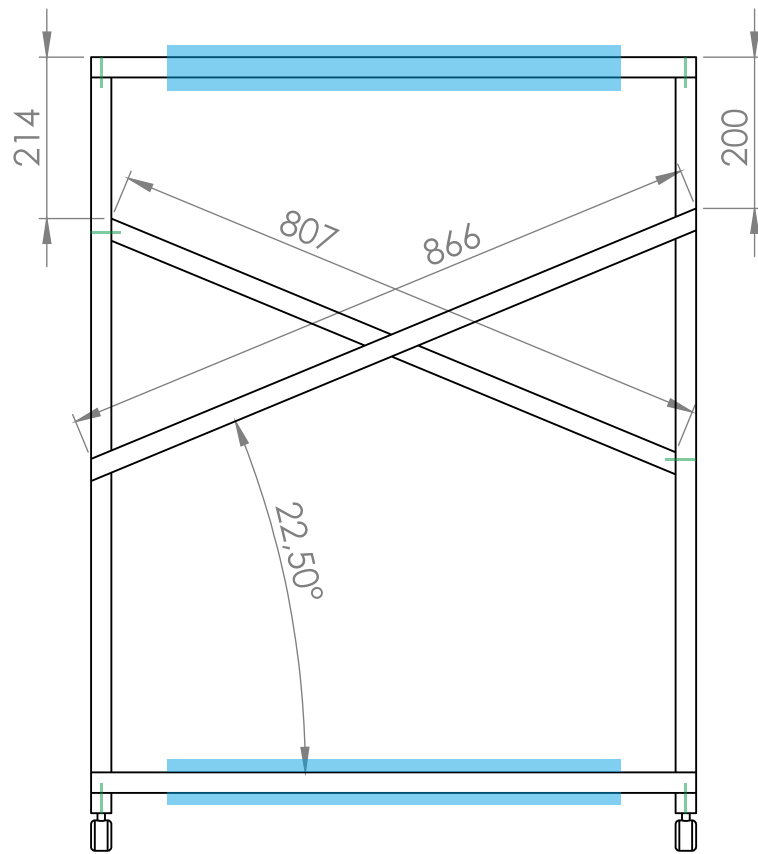


Mazda MX-5 support hardtop

© Jonathan Monfroy



— vis
■ mousse
échelle 1:10 (mm)